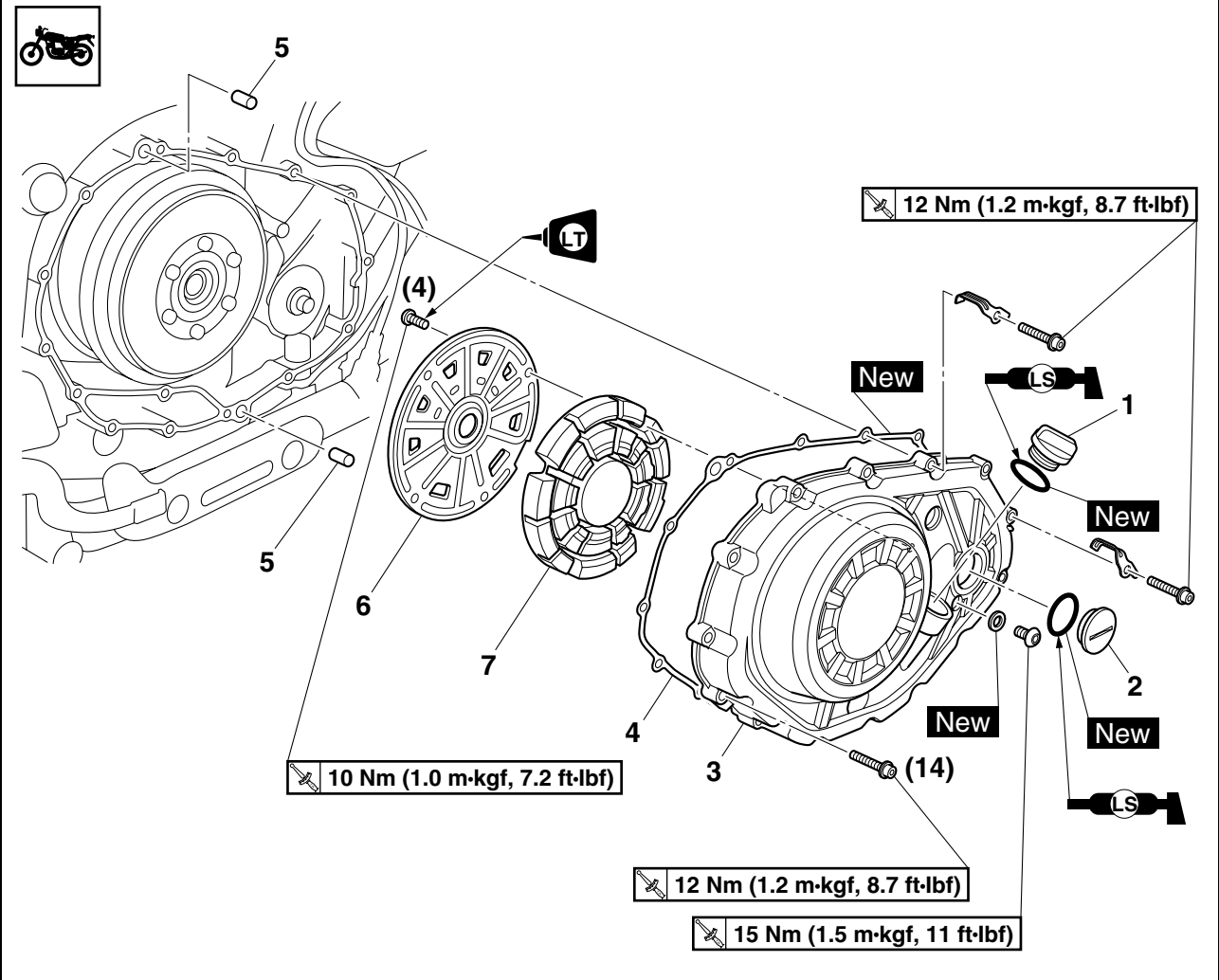


EAS25061

CLUTCH

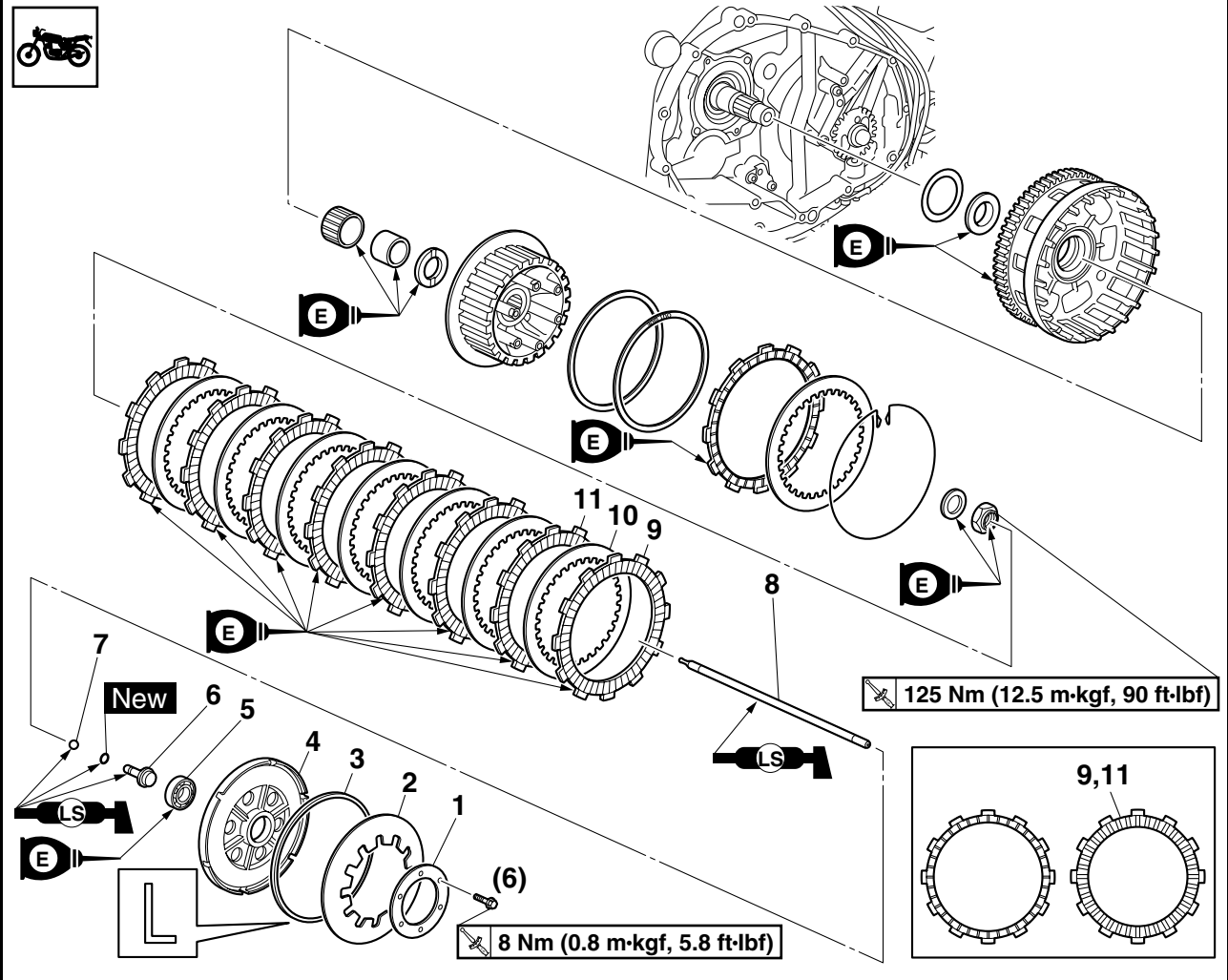
Removing the clutch cover



Order	Job/Parts to remove	Q'ty	Remarks
	Engine oil		Drain. Refer to "CHANGING THE ENGINE OIL" on page 3-25.
1	Engine oil filler cap	1	
2	Crankshaft end accessing screw	1	
3	Clutch cover	1	
4	Clutch cover gasket	1	
5	Dowel pin	2	
6	Clutch cover damper plate	1	
7	Clutch cover damper	1	
			For installation, reverse the removal procedure.

CLUTCH

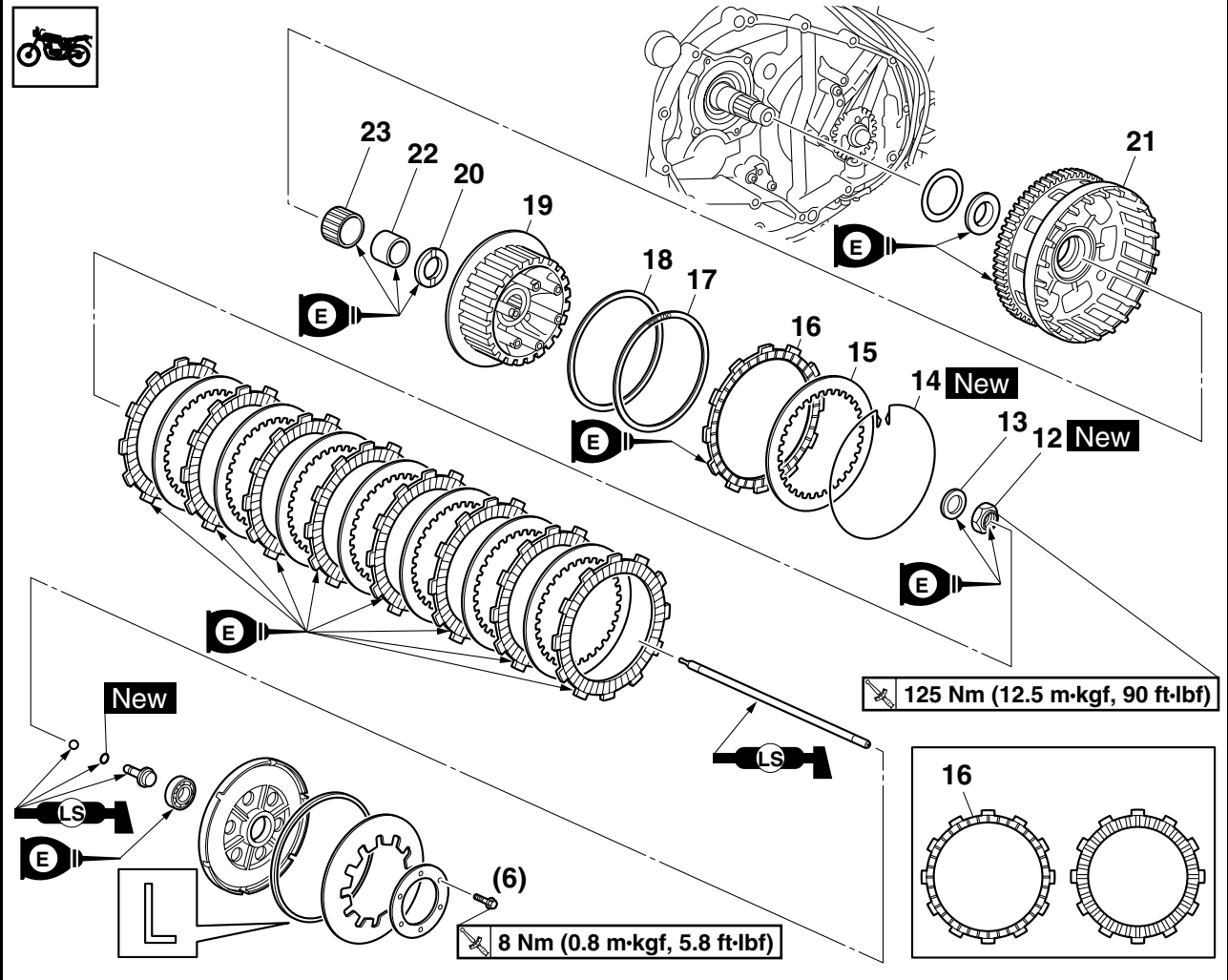
Removing the clutch



Order	Job/Parts to remove	Q'ty	Remarks
	Clutch release cylinder		Refer to "Removing the clutch release cylinder".
1	Clutch spring plate retainer	1	
2	Clutch spring plate	1	
3	Clutch spring plate seat	1	
4	Pressure plate	1	
5	Bearing	1	
6	Short clutch push rod	1	
7	Ball	1	
8	Long clutch push rod	1	
9	Friction plate 1	1	Inside diameter: 124 mm (4.88 in)
10	Clutch plate	7	
11	Friction plate 2	7	Inside diameter: 124 mm (4.88 in)

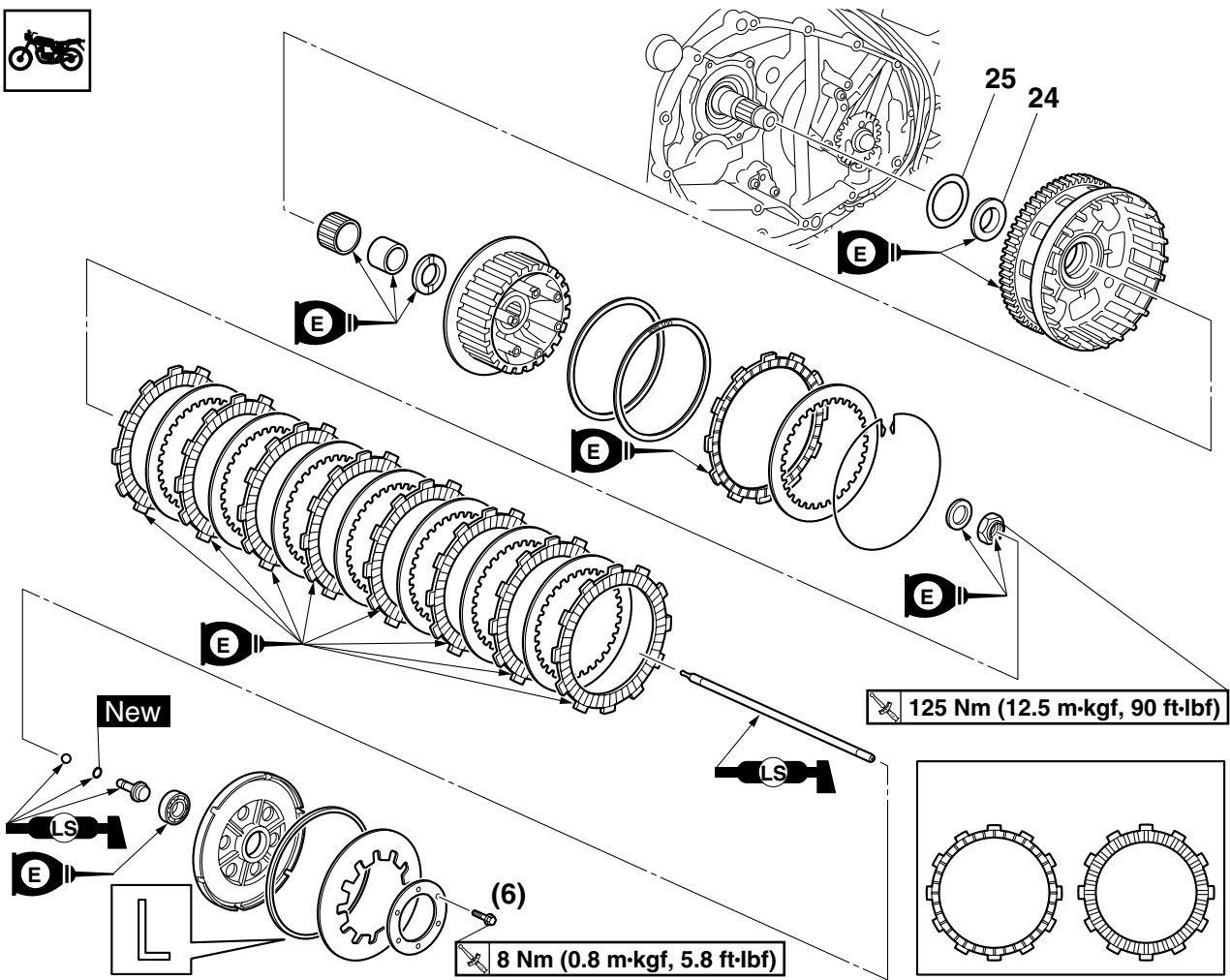
CLUTCH

Removing the clutch



Order	Job/Parts to remove	Q'ty	Remarks
12	Clutch boss nut	1	
13	Conical spring washer	1	
14	Wire circlip	1	
15	Clutch plate	1	
16	Friction plate 3	1	Inside diameter: 135 mm (5.31 in)
17	Clutch damper spring	1	
18	Clutch damper spring seat	1	
19	Clutch boss	1	
20	Thrust washer	1	
21	Clutch housing	1	
22	Spacer	1	
23	Bearing	1	

Removing the clutch



Order	Job/Parts to remove	Q'ty	Remarks
24	Spacer	1	
25	Thrust plate	1	
			For installation, reverse the removal procedure.