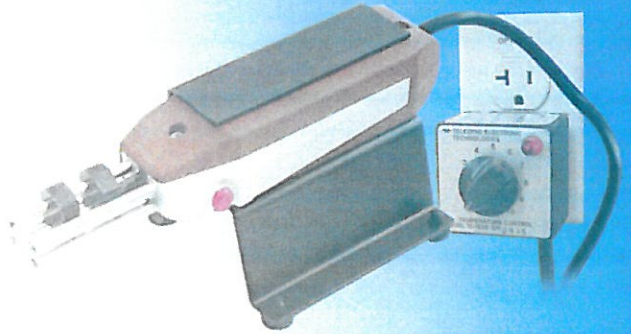


STRIPALL® by TELEDYNE

Handheld Thermal Wire Stripper

STRIPALL® is designed to remove insulation thermally, without nicking the conductor. The insulation is stripped cleanly and quickly, readying the wire for crimping or soldering. **STRIPALL®** is widely used for MIL-SPEC, OEM and IPC-A-610 applications.



- Easy to use - SAFE and NICK FREE stripping
- Versatile - strips wire from 10 to 38 AWG
- Self-contained - built-in transformer
- Adjustable - built-in strip length and wire gauge stops
- Rugged - built for long life



TELEDYNE IMPULSE

A Teledyne Technologies Company

9855 Carroll Canyon Road
San Diego, CA 92131
858-842-3100

models for all applications



TW-1 and TWC-1

This versatile model is designed to remove a variety of insulation types - single-strand, multi-strand, or shielded wire, up to 1.5 inches. The TWC-1 works well on Teflon®, Kapton®, Nylon, Vinyl and Neoprene. An optional bench stand is available. For applications where high melt insulation, such as Teflon, are stripped exclusively, we offer the TW-1 model without a temperature controller.



TW-2 and TWC-2

Having the same features as the TWC-1 model, the TWC-2 has the added convenience of longer electrodes for longer strip lengths, up to 3.5 inches and for working in hard-to-reach areas or otherwise inaccessible by other stripping methods, such as instrumentation enclosures or wiring cabinets. We also offer the TW-2 model without a temperature controller.



TW-6 and TWC-6

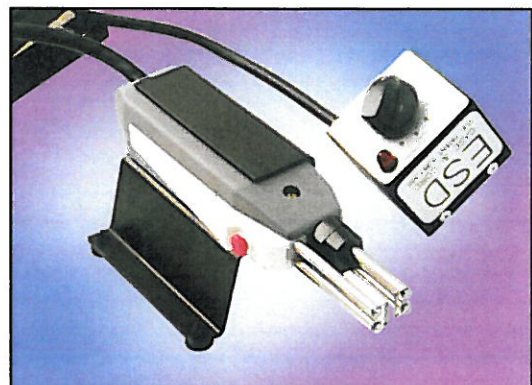
This model is designed for coaxial cable stripping. The nose block assembly quickly adjusts to strip insulation up to 5/8 inch diameter. The outside insulation is removed in two easy steps. First, the cable is placed in the nose block assembly and rotated, cutting around the cable. Second, the cable is repositioned 90 degrees, where the cable is slit lengthwise. The outside insulation is easily peeled away, exposing the shielding. This unique feature also allows long lengths of insulation to be removed with a single tool.

ESD

When you are working in ESD environments, such as laboratories, data processing equipment, and in other sensitive locations, you need the protection that ESD devices can offer. To answer this need, we offer all STRIPALL® models with an ESD option.

ESD Case Constructed from a special blend of UL recognized thermoplastic. Meets ASTM method D257 to ensure electrostatic dissipation.

ESD Cable UL listed SVT Type 18 AWG, three conductor power cord rated at 80°C and 300 volts.



features

- ❑ Thermal wire stripping to the highest industry standards
- ❑ Completely self-contained, does not require external transformers or power supplies
- ❑ Easy to use – one step operation
- ❑ Bench mount or hand-held operation
- ❑ Strips wire from 10 to 38 AWG
- ❑ Blades heat up to 1700°F in 2 seconds, then cool instantly
- ❑ Temperature control unit adjusts for use with all types of insulation materials
- ❑ Durable construction for production environments
- ❑ Long life, low cost blades are easily replaced
- ❑ Consistent, reliable production



The STRIPALL® blades heat up to **1700°F in 2 seconds**, then **cool instantly**, providing a more **efficient and safer** work environment - all with a single tool.



Strip And Gauge Stops

Designed to meet aerospace standards, the STRIPALL® models TW-1 and TW-2 feature both adjustable strip length and wire gauge stops. These unique stops slide snugly on the electrodes for quick and easy adjustments. Simply position the strip length stop according to the length of insulation you wish removed. By setting the wire gauge stop properly, the blades will never touch the conductor, eliminating nicks or deformation, and protecting the remaining insulation material against damage.

Strips ALL Insulation types, such as:

- TEFLON®
- NYLON
- RUBBER
- NEOPRENE
- PVC
- POLYPROPYLENE
- KAPTON®
- POLYETHYLENE
- PLASTICS
- OTHER INDUSTRIAL ELASTOMERS



TELEDYNE IMPULSE

A Teledyne Technologies Company

9855 Carroll Canyon Road
San Diego, CA 92131
858-842-3100

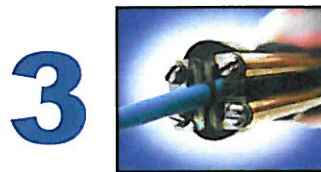
quick, clean & easy



Position the wire between the blades and against the stop



Depress the heat button and close the electrodes



Rotate 1/4 turn and release



Pull off the insulation

Easy to use

After adjusting the strip and gauge stops, insert a wire between the blades and press the heat button. When the blades sever the insulation, rotate 1/4 turn as you continue to apply heat. Release the heat button, and pull off the completely severed insulation.

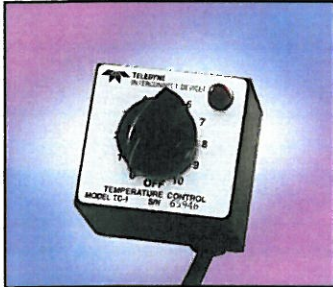
A style for all your needs

Electrode Style	Standard (110 volt)	Standard w/Temp Control	Options	
			HV (220 volt)	ESD
Std. Length 1.5"	TW-1	TWC-1	TW-1HV TWC-1HV	TWC-1ESD
Long-nose 3.5"	TW-2	TWC-2	TW-2HV TWC-2HV	TWC-2ESD
Coaxial (slitter)	TW-6	TWC-6	TW-6HV TWC-6HV	TWC-6ESD

High Voltage Option

All STRIPALL® products are also available in 220 volt AC, 50 Hz. configurations (denoted with a HV suffix).

accessories



TC-1

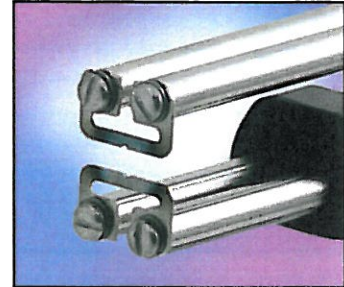
The optional control unit adjusts blade temperature from 1700°F to 100°F to reduce blade temperature for insulation materials that burn, scorch or emit fumes. TW-* units can be converted to TWC-* as needed.



Table Bench Mount (TBM)

This optional bench stand is designed for holding the STRIPALL® in a fixed work position.

- Reduces operator fatigue
- Stripper can be easily removed from the stand when hand-held operation is desired
- Works with all STRIPALL® models



Blade options

To insure the best performance possible, two types of blades are available. The notched blades perform best on wires 10 – 25 AWG. The blank blades are designed for stripping wires 26 – 38 AWG.

Replacement parts

item #	part #	description
1	001-300-1	case - left
2	001-300-2	case - right
3	001-100-1	transformer
	001-100-2	transformer - high voltage (220V)
4	001-101-1	handle assy - short nose for TW-1 & TWC-1
	001-101-2	handle assy - long nose for TW-2 & TWC-2
4A	001-101-3	handle assy - TW-6 & TWC-6
5	001-104-1	nose block assy - short nose for TW-1 & TWC-1
	001-104-2	nose block assy - long nose for TW-2 & TWC-2
5A	001-104-3	nose block assy for TW-6 & TWC-6
5B	001-101-5	knurled screw, 6-32 x 1" for TW-6 & TWC-6
6	001-107-1	power cord - three prong
7	001-317-1	spring - handle
8	001-316-3	gauge stop
9	001-316-4	strip stop
10	001-312-1	blade-blank, screws incl., TW/TWC-1 & TW/TWC-2
	001-312-2	blade-notched, screws incl., TW/TWC-1 & TW/TWC-2
10A	001-312-5	blade for TW-6 & TWC-6
11	#6-32NC x 1"	screw, pan head, steel, zinc plated
12	#6-32NC x 7/8"	screw, pan head, steel, zinc plated
13	#6-32NC	nut - hex, steel, zinc plated
	TBM	table bench mount (not shown in figure 1)
	TC-1	temperature control (not shown in figure 1)
14	001-303-1	heat button assembly
15	803305-1	switch assembly
16	001-330-1	power cord (220V)
17	TC-1HV	temperature controller (220V)

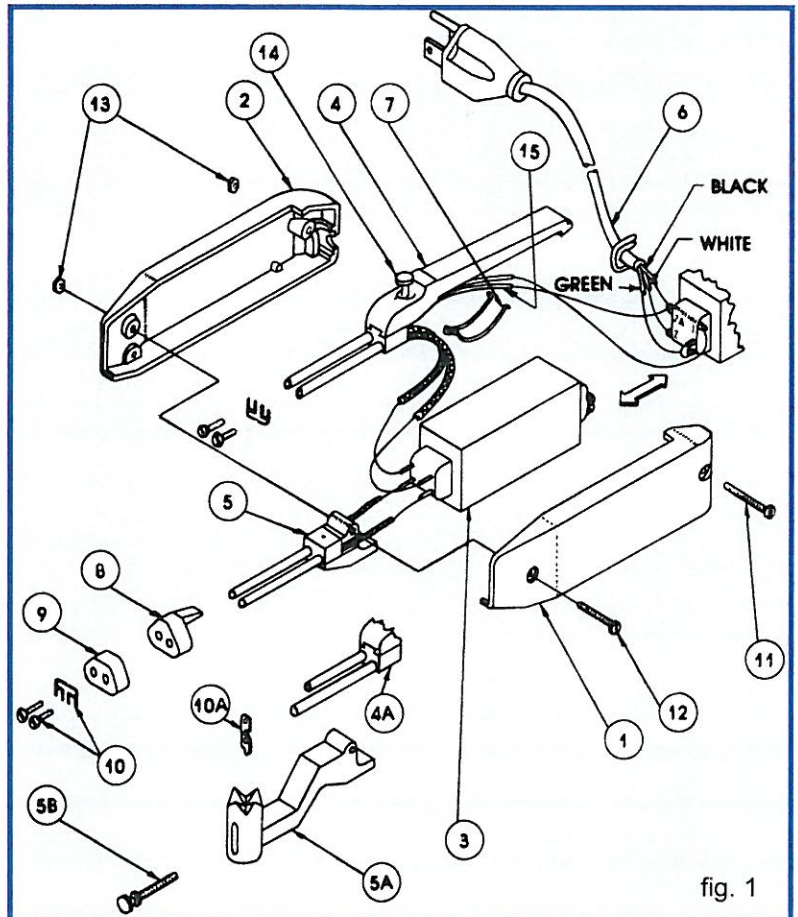


fig. 1

STRIPALL® . . . the power to serve



Refurbishment Service

Make your old STRIPALL® like new! Teledyne Interconnect Devices will replace all worn or damaged parts for a set fee on all rebuildable units. Call factory for details.



Teledyne Interconnect Devices is a fully integrated design house with manufacturing capabilities. Teledyne has engineered SMT connectors, switches, thermal wire strippers and harsh environment connector products for over 50 years. We engineer products to meet your specific applications.



TELEDYNE IMPULSE

A Teledyne Technologies Company

9855 Carroll Canyon Road
San Diego, CA 92131
858-842-3100

- Insert Molded Custom connectors
- Disk Drive Motor connectors
- High Reliability Robust connectors
- High Density Compression connectors
- Thermal Wire Strippers

For more information, visit our web site at:

www.teledyneinterconnect.com

Or you may email us at:

interconnectdevices@teledyne.com

Trust only STRIPALL® brand thermal wire strippers